

# Series 90 Modutrol IV™ Motors

## PRODUCT DATA



## APPLICATION

The Series 90 Modutrol IV™ Motors are spring return and non-spring return modulating proportional control motors. Use these motors with controllers that provide a Series 90 output to operate dampers or valves.

## FEATURES

- Replaces M934A,D, M941, M944A,C,D, M945A,D,F, M954, M965, and M975 motors.
- Integral junction box provides NEMA 3 weather protection.
- Integral spring return returns motor to normal position when power is interrupted.
- Motor and circuitry operate from 24 Vac. Models available with factory installed transformer, or a field added internal transformer.
- Quick-connect terminals are standard—screw terminal adapter is available.
- Adapter bracket for matching shaft height of older motors is available.
- Motors have field adjustable stroke (90° to 160°).
- Die-cast aluminum housing.
- Integral auxiliary switches are available factory mounted, or can be field added.
- Nominal timing standard of 30 seconds (90° stroke), and 60 seconds (160° stroke). Other timings available.
- Spring return motors can operate valve linkages from power end or auxiliary end shafts for normally closed or normally open valve applications.
- All models have dual shafts (slotted and tapped on both ends).
- All models have auxiliary switch cams.
- Fixed torque throughout the entire voltage range.
- Motors are designed for either normally open or normally closed valves and dampers.
- Field addable interface modules can be mounted in the junction box to upgrade the motor to Series 70 (electronic) control.

## Contents

Application .....	1
Features .....	1
Specifications .....	2
Ordering Information .....	2
Wiring .....	7
Settings and Adjustments .....	10
Operation .....	11
Checkout .....	13
Replacement .....	13



# SPECIFICATIONS

**TRADELIN Models:** Selected and packaged to provide ease of stocking, ease of handling and maximum replacement value. Specifications are the same as those of standard models unless specified otherwise.

**NOTE:** Auxiliary switches can only be added to motors that include auxiliary switch cams. (These cams cannot be field-added.)

**Modutrol IV Order Number Guide:** See Table 1.

**Table 1. Modutrol IV Series 2 and 3 Model Number Guide.**

<b>M</b>	Motor					
	<b>91</b>	Proportioning Series 90 Control				
	<b>94</b>	Flame Safeguard Firing Rate Motor				
	<b>6</b>	60 lb-in. Spring Return	35 lb-in. Non-Spring Return			
	<b>7</b>		75 lb-in. Non-Spring Return			
	<b>8</b>		150 lb-in. Non-Spring Return			
	<b>9</b>		300 lb-in. Non-Spring Return			
	<b>1</b>	Dual-ended shaft	Non-Spring Return			
	<b>2</b>		Normally Closed (NC) Spring Return			
	<b>4</b>		Non-Spring Return			
	<b>5</b>		Normally Closed (NC) Spring Return			
			<b>A</b>	0 Auxiliary Switches	Adjustable Stroke Normally Closed	
		<b>B</b>	1 Auxiliary Switch			
		<b>C</b>	2 Auxiliary Switches			
		<b>D</b>	0 Auxiliary Switches			
		<b>E</b>	1 Auxiliary Switch			
<b>M</b>	<b>91</b>	<b>8</b>	<b>4</b>	<b>A</b>	XXXX	See Catalog for Complete O.S. Number

**NOTE:** Torque designation corresponds to torque rating at standard timing (nominally 60 sec for 160° and 30 sec for 90° *except* for 300 lb-in. motors which have timings of 2 or 4 min).

**Dimensions:** Refer to Fig. 2.

Minimum: -40° F (-40° C).

**Electrical Ratings:** Refer to Table 2.

**NOTE:** **25% duty cycle** indicates that the motor operates for 6 out of every 24 hours.

**Control Inputs:** Proportional, Series 90.

**NOTE:** Motor Series 90 control can be either **Electronic, or Mechanical (135 ohm).**

**Dead Weight Load On Shaft:**

Power or Auxiliary End: 200 lb (90.8 kg) maximum.  
Maximum Combined Load: 300 lb (136 kg). (Dual shaft motors only.)

**Auxiliary Switch Ratings:** Refer to Table 3.

**Crankshaft:** 3/8 in. (9.5 mm) square. (All models built after 2006 have dual end shaft.)

**Ambient Temperature Ratings:**

Maximum: 150° F (66° C) at 25% duty cycle.

# ORDERING INFORMATION

When purchasing replacement and modernization products from your TRADELINE® wholesaler or distributor, refer to the TRADELINE® Catalog or price sheets for complete ordering number. If you have additional questions, need further information, or would like to comment on our products or services, please write or phone:

1. Your local Honeywell Environmental and Combustion Controls Sales Office (check white pages of your phone directory).
2. Honeywell Customer Care  
1985 Douglas Drive North  
Minneapolis, Minnesota 55422-4386
3. <http://customer.honeywell.com> or <http://customer.honeywell.ca>

International Sales and Service Offices in all principal cities of the world. Manufacturing in Belgium, Canada, China, Czech Republic, Germany, Hungary, Italy, Mexico, Netherlands, United Kingdom, and United States.

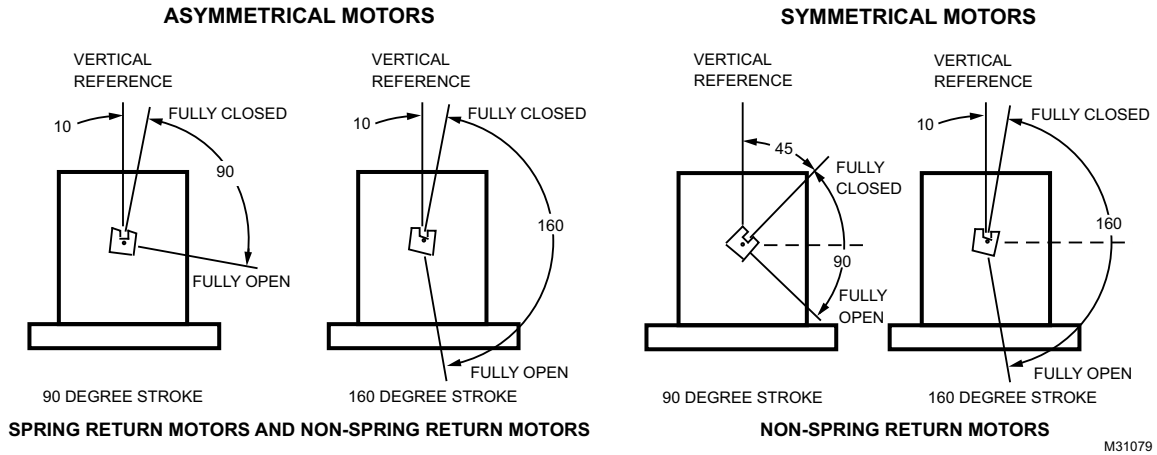


Fig. 1. Stroke.

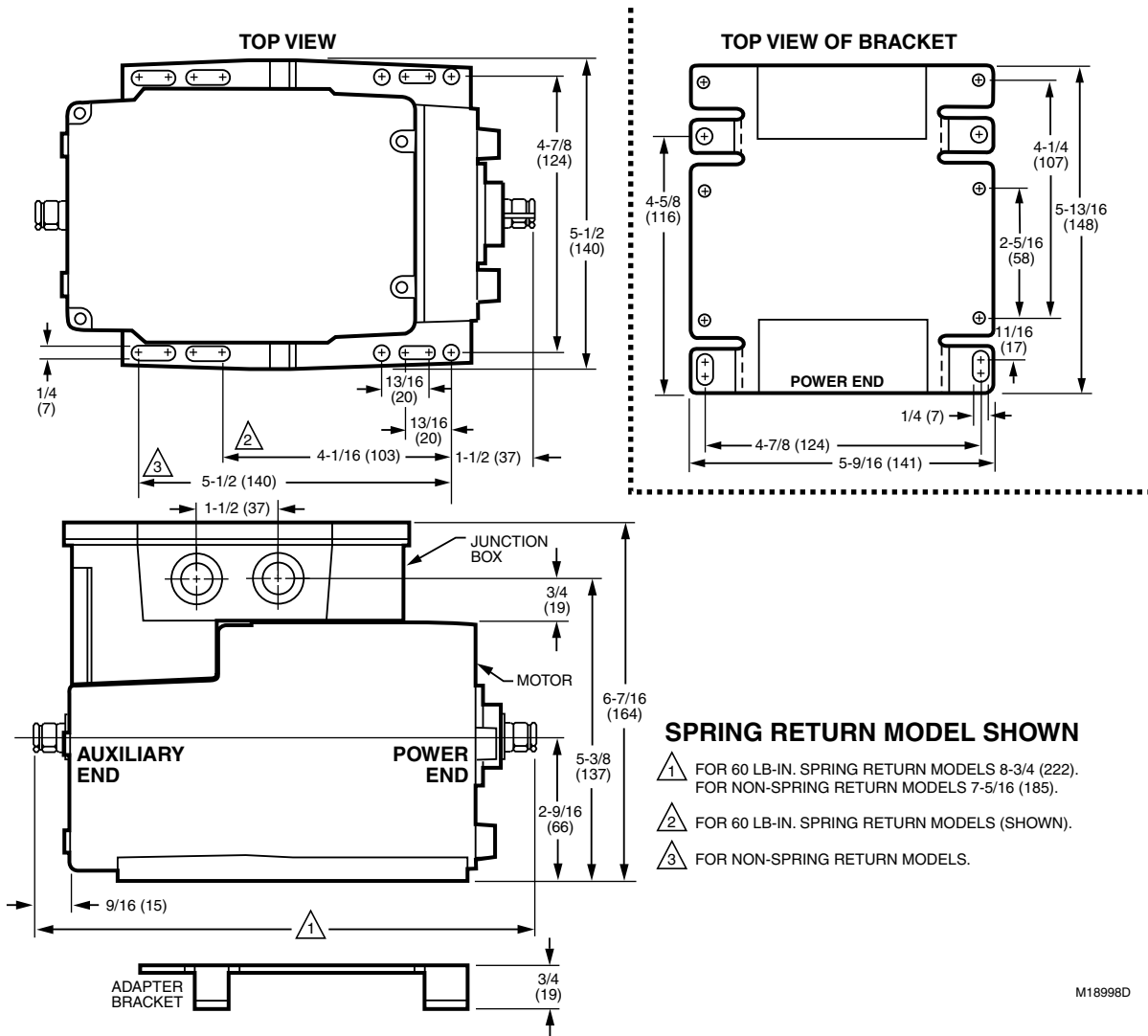


Fig. 2. Modutrol IV Motor mounting dimensions in inches (mm).

**Stroke:** Models available with field adjustable stroke from 90° to 160° (See Settings and Adjustments figure 11).

**Table 2. Power Consumption Ratings.**

Power Consumption	
Family	VA Rating
M9161V	10
M9164	10
M9172W	20
M9174	12
M9175B	20
M9181D	10
M9182A	15
M9182D	20
M9184	15
M9185	20
M9186G	20
M9191F	15

**Table 3. Auxiliary Switch Ratings (in Amps).**

Single Contact Rating <sup>a</sup>	120 V	240 V
Full Load	7.2	3.6
Locked Rotor	43.2	21.6

<sup>a</sup> 40 VA pilot duty, 120/240 Vac on opposite contact.

**Timing And Torque:** Refer to Table 5.

**Approvals:**

Underwriters Laboratories Inc. Listed: File No. E4436, Guide No. XAPX to US and Canadian standards.  
U.S. Patents: pending

**Table 4. Primary 50017460-001 Color Code**

Lead Color	Primary Voltage
Brown	24 VAC
White	120 VAC
Blue	230 VAC
Black	Common

All Transformers have brown secondary (24 VAC) wires.

**Table 5. Series 90 Modutrol Motor Timing and Torque Ratings.**

Nominal Timing <sup>a</sup> in sec		Rated Torque in lb-in. (N•m) <sup>b</sup>			
		Normal Running Torque		Breakaway Torque <sup>c</sup>	
		90°	160°	Spring Return	Non-Spring Return
30	60	—	35 (4)	—	70 (8)
15 <sup>d</sup> /30	30 <sup>d</sup> /60	60 (6.8)	75 (8.5)	120 (13.6)	150 (17)
30	60	—	150 (17)	—	300 (34)
60	120	—	300 (34)	—	600 (68)

<sup>a</sup> Timings apply to all TRADELINE models. Some OEM models are available with non-standard timing/torque.

<sup>b</sup> The torque rating for dual-ended shaft motors is the sum of the shaft torques (power-end torque plus auxiliary-end torque).

<sup>c</sup> Breakaway torque is maximum torque available to overcome occasional large loads such as a seized damper or valve.

<sup>d</sup> Low timing is for M9184D1005 only.

NOTE: Some 150 lb-in. and 300 lb-in. torque adjustable stroke motors have timings that are twice that of the nominal timing.

**IMPORTANT**

*Never use a Modutrol Motor continuously at the Breakaway Torque rating.*

**Accessories:**

220736 Internal Auxiliary Switch Kit can be field-installed.

One- (220736A) and Two- (220736B) switch kits available.

220738A Adapter Bracket raises motor shaft height by 19 mm to match that of previous Modutrol Motor models.

220741A Screw Terminal Adapter converts the standard quick-connect terminals to screw terminals.

221455A Infinitely Adjustable Crank Arm approximately 0.75 inch shorter than the 4074ELY Crank Arm, can rotate through downward position and clear base of motor without requiring use of adapter bracket.

221508A Resistor Board plugs onto Series 90 Motor quick-connect wire terminals. Provides same functionality as 4074BYK, 4074EAU, 4074EDC, or 4074EED Resistor Kits.

4074BYK Series 90 Resistor Kit provides for unison control of up to six Series 90 Motors.

4074EAU W973 Resister Kit provides for control of two or three Series 90 Motors from a W973 Single-zone Logic Panel or W7100 Discharge Air Controller.

4074EDC 4-20 mA Resistor Kit drives one Series 90 Motor from a 4-20 mA controller.

4074EED Unison Control 4-20 mA Resistor Kit provides for control of up to four Series 90 Motors from one 4-20 mA controller.

4074ERU Weatherproofing Kit provides NEMA 3 rating for Modutrol IV Motors mounted in position other than upright.

50017460-001 Internal Transformer; 24/120/230 Vac 50/60 Hz primary, 24 Vac secondary, quick connect terminals.

50017460-003 Internal Transformer; 120 Vac 50/60 Hz primary, 24 Vac secondary, quick connect terminals.

7617ADW Crank Arm approximately 0.75 inch shorter than 7616BR Crank Arm. Can rotate through downward position and clear base of motor without requiring use of adapter bracket.

Q100 Linkage connects Modutrol Motor to V51 Butterfly Valve. Requires the 220738A adapter bracket (packed with TRADELINE Modutrol IV Motors).

- Q181 Auxiliary Potentiometer for sequence or unison control of 1 to 4 additional modulating (Series 90) motors.
- Q209E,F Potentiometer limits motor minimum position.
- Q5001 Bracket and Linkage Assembly connects Modutrol Motor to a water or steam globe valve.
- Q605 Damper Linkage connects motor to damper. Includes motor crank arm.
- Q607 External Auxiliary Switch controls auxiliary equipment as a function of motor position.
- Q7130A Interface Module with selectable voltage ranges (4-7 Vdc, 6-9 Vdc, and 10.5-13.5 Vdc) adapts motor to M71XX function.
- Q7230A Interface Module with selectable control (2-10 Vdc or 4-20 mA) and adjustable zero and span adapts motor to M72XX function.
- Q7330A Interface Module for W936 Economizer applications adapts motor to M73XX function.
- ES650-117 Explosion-Proof Housing encloses motor for use in explosive atmospheres. Also required, a 7617DM coupling assembly from Honeywell to use with the cover. Not for use with Q5001 (or any other valve linkages).  
To order ES-650-117, contact EGS Enclosures at (281) 449-6271, ask for the sales department and for distribution in your area.

**Table 6. Modutrol Motor Cross-Reference.**

Original Motor	Replacements
M944A,C,D, M954	M9184, M9194
M934D	M9164, M9174
M945A,D,F, M955	M9182, M9185
M941	M9484, M9494

## INSTALLATION

### When Installing this Product...

1. Read these instructions carefully. Failure to follow them could damage the product or cause a hazardous condition.
2. Check the ratings given in the instructions and on the product to make sure the product is suitable for your application.
3. Installer must be a trained, experienced service technician.
4. After installation is complete, check out product operation as provided in these instructions.



### CAUTION

**Electrical Shock or Equipment Damage Hazard.**  
**Can shock individuals or short equipment circuitry.**  
Disconnect all power supplies before installation. Motors with auxiliary switches can have more than one disconnect.



### CAUTION

**Equipment Damage Hazard.**  
**Can damage the motor beyond repair.**  
Never turn the motor shaft by hand or with a wrench. Forcibly turning the motor shaft damages the gear train and stroke limit contacts.

#### IMPORTANT

*Always conduct a thorough checkout when installation is complete.*

### Location

Allow enough clearance for installing accessories and motor servicing when selecting a location (See Fig. 2). If located outdoors, use liquid-tight conduit connectors with the junction box to provide NEMA 3 weather protection. If mounted outdoors in a position other than upright, install a 4074ERU Weatherproofing Kit and liquid-tight connectors to provide NEMA 3 protection.



### CAUTION

**Motor Damage Hazard.**  
**Deteriorating vapors and acid fumes can damage metal parts.**  
Install motor in areas free of acid fumes and other deteriorating vapors.

In excessive salt environments, mounting base and screws should be zinc or cadmium plated, not stainless steel or brass. Use the 220738A Adapter Bracket for mounting on these surfaces.

## Mounting



### CAUTION

**Equipment Damage Hazard.**

**Can damage the motor beyond repair.**

Always install motors with the crankshaft horizontal. Improper motor mounting can result in inadequate motor gear train lubrication.

Use the following guidelines for proper motor mounting:

- Always install motors with the crankshaft horizontal.
- Mounting flanges extending from motor housing base are drilled for 1/4 inch (6.4 mm) machine screws or bolts.
- Non-Spring Return Motors are shipped from the factory in the closed position (at the limit of counterclockwise rotation, as viewed from the power end of the motor).
- Spring Return Motors are shipped from the factory in their normal position:
  - Normally closed models: shipped at limit of counterclockwise rotation, as viewed from the power end of the motor.

## Adapter Bracket

The 220738A Adapter Bracket, positioned between the motor and the equipment, raises motor shaft height by 0.75 in. (19 mm) to match that of the former Modutrol Motor.

The following applications require this bracket:

- Q607 External Auxiliary Switch.
- Damper linkage applications require added clearance to allow:
  - crank arm rotation through the downward position.
  - sufficient damper linkage to reach the motor shaft.
- All valve linkages except the Q5001.

To mount the motor with the bracket (See Fig. 3):

1. Mount the bracket to the equipment with existing or standard bolts.
2. Using the provided bolts, mount the motor to the bracket threaded holes.

For valve linkage applications (other than the Q5001):

1. Mount the bracket to the linkage.
2. Position the motor on the bracket to align the motor shaft with the linkage.
3. Attach the motor to the bracket with the four bolts provided (See Fig. 4).

## Damper Linkages

The motor does not include a crank arm. Order the crank arm, included in the Q605 Linkage, separately (refer to Accessories in the Specifications section). For detailed instructions on the assembly of specific linkages, refer to the instruction sheet packed with the linkage.



### CAUTION

**Equipment Damage Hazard.**

**Stalling a motor can damage the drive shaft.**

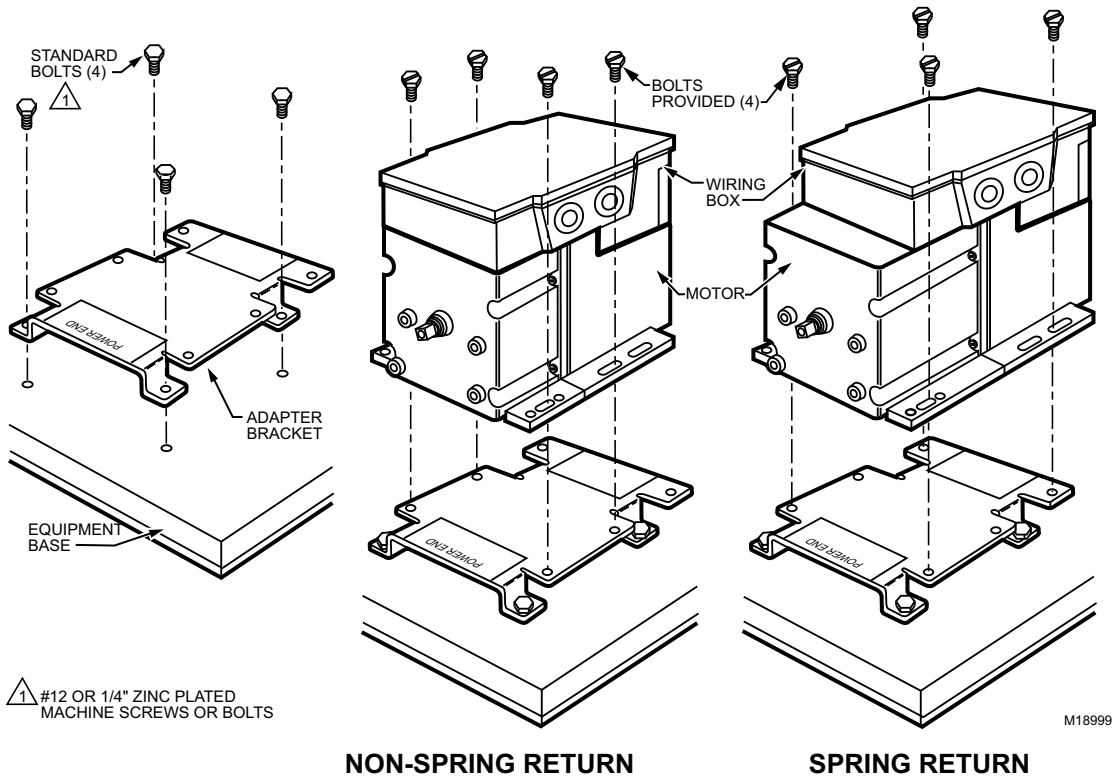
Ensure installation of motors and linkages allows the motor to drive through full stroke without obstruction.

## Valve Linkages

The Q100 Linkage requires the 220738A Adapter Bracket for all valve applications. Applications with the Q5001 Valve Linkage do not require the 220738A Adapter Bracket (Refer to Fig. 3).

## Junction Box

When used with liquid-tight conduit connectors, the junction box provides NEMA 3 weather protection for the motor. The junction box, standard with replacement motors, encloses the terminals and provides knockouts for wiring conduits. Housing an internal transformer or internal auxiliary switches requires use of the junction box.

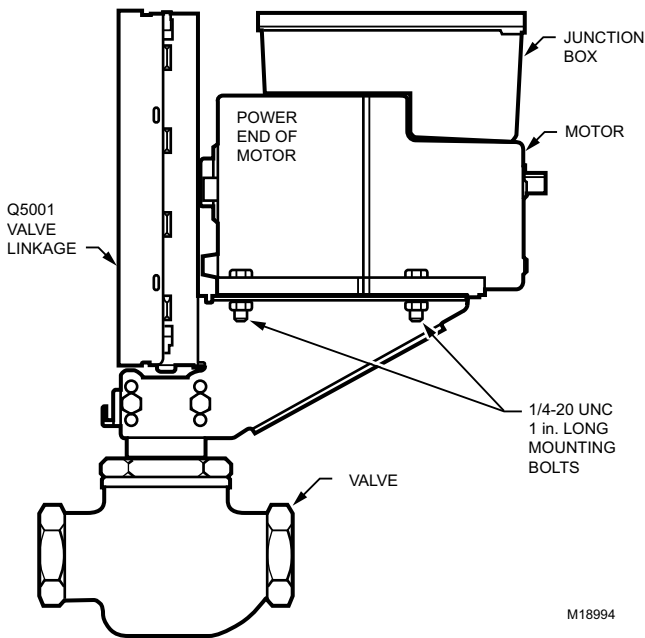


NON-SPRING RETURN

SPRING RETURN

**NOTE:** When no bracket is used in replacement applications, damper linkages require adjustment for the new shaft position.

**Fig. 3. Mounting the Motor with an Adapter Bracket.**



**Fig. 4. Mounting the Motor on a Q5001 Valve Linkage.**

## WIRING



### CAUTION

**Electrical Shock or Equipment Damage Hazard.**  
Can shock individuals or short equipment circuitry.

Disconnect power supply before installation.

### IMPORTANT

*All wiring must agree with applicable codes, ordinances and regulations.*

1. Ensure that the voltage and frequency stamped on the motor correspond to the power supply characteristics.
2. When connecting several motors in parallel, ensure that the power supply VA rating is large enough to provide power to all motors used without overloading.
3. Fig. 11 shows that the motor terminals are quick-connects located on top of the printed circuit board.
4. To access the wiring compartment:
  - a. Remove the four screws from the junction box top.
  - b. Lift off the cover.
5. Refer to Fig. 5 for typical wiring, and Fig. 7 for internal auxiliary switch connections.

**NOTE:** Reverse motor rotation by switching wires at either the motor or the panel. Reverse rotation on the Series 90 models by reversing the wires at terminals W and B.

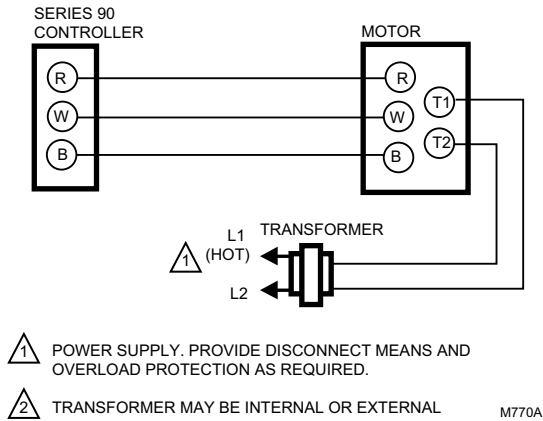


Fig. 5. Typical Series 90 Wiring.

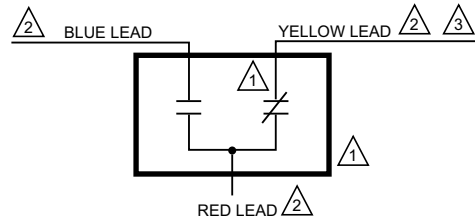


Fig. 7. Auxiliary Switch Schematic.

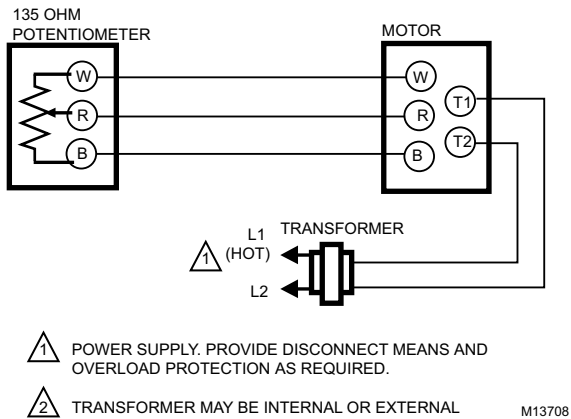


Fig. 6. Wiring for Potentiometer Control

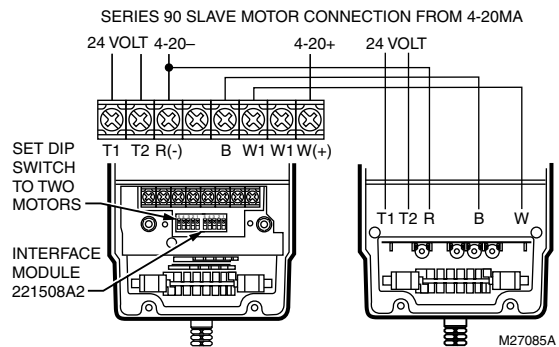


Fig. 8. Series 90 Slave Motor Connection.

For controlling up to six Series 90s in parallel with a 135 ohm pot or slide wire type series 90 controller, add the appropriate resistor indicated in the table below to ONE of the Series 90 motors, from terminal B to terminal W. As an alternative, one 221508A2 module can be used to provide any of the resistor values given below:

Table 7. Resistor Values of Motors in Parallel

Number of Motors in Parallel	Resistor Value
1	None
2	140 Ohms
3	72 Ohms
4	47 Ohms
5	36 Ohms
6	29 Ohms

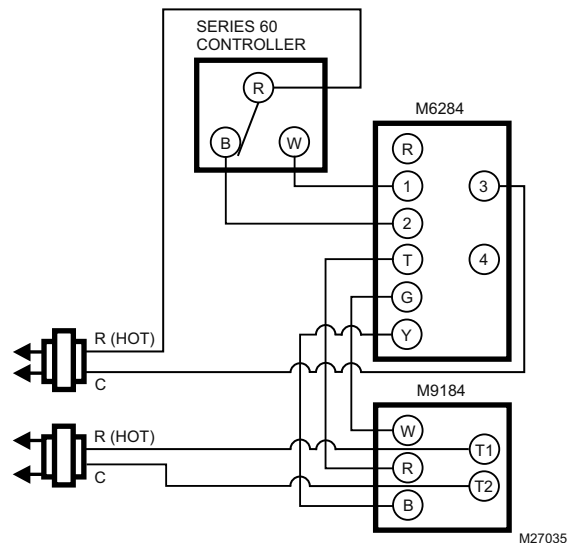


Fig. 9. Series 60 Controller.



The motors in the application need to be all symmetrical or all asymmetrical. The M62 motor needs to be a "-S" slaving model, as listed in Table 8. In order to get the correct response the Series 62 needs the appropriate shunt resistor from Table 8. The motors' potentiometer settings are given in the configuration table (Table 9) below. When slaving more than one Series 90 motor use the appropriate resistor table as indicated by the configuration table and install two resistors to ONE of the motors (Tables 10 and 11). If the motor is the M62 master connect one resistor from terminals T to G and one from T to Y. If the motor is one of the M90 slaves connect one resistor from terminals R to B and one from R to W.

**NOTE: More than 6 slaves is not recommended.**

**Table 8. Series 60 and Series 90 in Slaving Application**

OS Number	Feedback Resistance	Sensitivity Adjustment	Internal Shunted	Linear Feedback	Series 90 Slaving Shunt Resistor
M6284D1000-S, M6284D1026-S, M6284D4004-S, M6285A1005-S, M6285A1054-S, M6285A4009-S	600 Ohms	No	Yes	No	187 Ohm
M6274F1009-F, M6284F1070-F, M6284F1078-F, M6285F1001-F, M6294F1009-F, M6294F1017-F, M6284D1032-F	10 K Ohms	No	No	Yes	Not Available
M6284A1071-S, M6284A1089-S, M6284C1028-S	196/346 Ohms	Yes	Yes	No	274 Ohm
M6284A1030-S, M6284A1055-S, M6284A1097-S, M6284B1004-S, M6284C1010-S, M6284C1044-S, M6284F1013-S, M6284F1039-S, M6285A1039-S, M6285A1047-S, M6285C1001-S, M6294B1036-S, M6294D1008-S	119/224 Ohms	Yes	Yes	No	Not Necessary
M6284F1062-S	1800 Ohms	No	Yes	No	Not Available
"-S" Slaving Series 90 Mod IV Motor					
"-F" 0-10K Feedback					

**Table 9. Configuration Table**

Symmetrical or Asymmetrical	Master Stroke	Slave Stroke	Master Stroke Pot	Master Sensitivity Pot	Slave Stroke Pot	Slave Sensitivity Pot	Resistor Table
Symmetrical	160	160	CW	CW	CW	CW	1
Symmetrical	90	90	CCW	CCW	CCW	CCW	2
Symmetrical	160	90	CCW	CW	CCW	CCW	1
Symmetrical	90	160	Configuration not recommended				
Asymmetrical	160	160	CW	CW	CW	CW	1
Asymmetrical	90	90	CCW	CW	CW	CW	1
Asymmetrical	160	90	Configuration not recommended				
Asymmetrical	90	160	Configuration not recommended				

**Table 10. Resistor Table 1**

Number of Motors in Parallel	Resistor Value
1	NONE
2	3500 Ohms
3	2000 Ohms
4	1300 Ohms
5	1000 Ohms
6	800 Ohms

**Table 11. Resistor Table 2**

Number of Motors in Parallel	Resistor Value
1	NONE
2	5000 Ohms
3	2400 Ohms
4	1700 Ohms
5	1400 Ohms
6	1200 Ohms


## SETTINGS AND ADJUSTMENTS


### Before Setting Stroke

1. Remove the top cover from the motor.
2. Disconnect the controller from the motor.
3. Connect a remote potentiometer to the motor as shown in Fig. 6 (R-W-B).

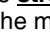
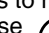
The stroke adjustment on the series 2 and series 3 motors is made using the **stroke and sensitivity** potentiometers located under the cover inside the motor. The stroke adjustment on a series 1 motor was made by adjusting the CAMS.

### For Series 2 and Series 3 Motors:

To set the stroke to 160 degrees (maximum position) turn both stroke and sensitivity potentiometers fully clockwise , using a 1/8 inch straight-blade screwdriver.

To set the stroke to 90 degrees (minimum position) turn both stroke and sensitivity potentiometers fully counter-clockwise , using a 1/8 inch straight-blade screwdriver.

To set the stroke between 90 and 160 degrees:

1. Turn the **stroke and sensitivity** potentiometers fully clockwise, using a 1/8 inch straight-blade screwdriver.
2. Turn the **remote** potentiometer (previously installed on R-W-B terminals) to maximum position.
3. Turn the sensitivity potentiometer to the selected stroke (between 90 and 160 degrees) **OR** until the motor stops.
4. **IF** the motor stops before the selected stroke is reached, turn the **stroke** potentiometer until the selected stroke is reached **OR**
5. **IF** the selected stroke is reached using the sensitivity potentiometer, turn the **stroke** potentiometer counter-clockwise  until the motor begins to move. Then turn the **stroke** potentiometer clockwise  slightly to have the position correspond to the sensitivity potentiometer.
6. Make sure the minimum position is correct.

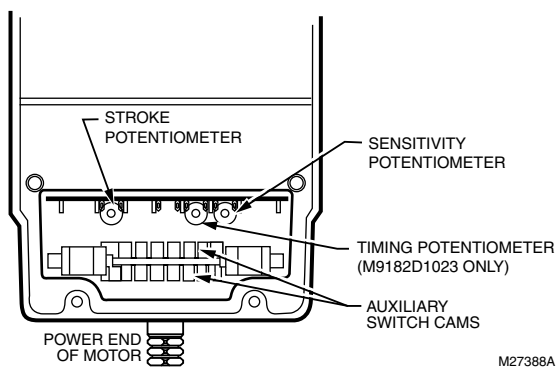




Fig. 10. Potentiometer Location and Stroke Adjustment Setup for Non-Spring Return Series 90 Motors.

### Adjustable timing for M9182D1023

The timing potentiometer (the second from the right, (Refer to Fig. 10) sets the timing to 1 minute, if turned fully CCW , 2 minutes if turned to its middle point and 4 minutes if turned fully CW .

### CAUTION

**Careless Installation Hazard.**

**Use of excessive force while adjusting cams damages the motor.**

To avoid damaging motor end switches, set cams by moving only the top of the screwdriver.

### CAUTION

**Careless Installation Hazard.**

**Forcibly turning the motor shaft damages the gear train and stroke limit contacts.**

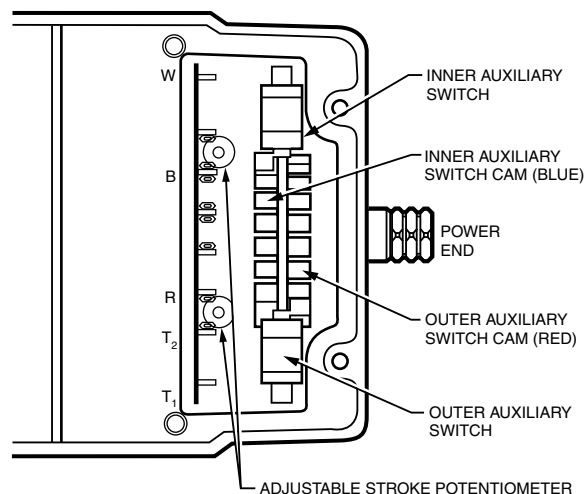
Never turn motor shaft manually (either by hand or with a wrench).

### CAUTION

**Equipment Damage Hazard.**

**Can damage the motor beyond repair.**

Set cams by moving the top of the screwdriver only. Pressing screwdriver against cam slot sides or use of excessive force can damage motor end switches.



NOTE: NOT ALL FEATURES AVAILABLE ON ALL MODELS.

M31108A

Fig. 11. Terminals and Adjustments.

## Auxiliary Switches

Adjustable cams actuate the auxiliary switches. These cams can be set to actuate the switches at any angle within the stroke of the motor. Select switch differential of 1° or 10°.

Motors with factory-added auxiliary switches are shipped in the closed position (fully counterclockwise, as viewed from the power end). Auxiliary cam default actuates the switches 30° from full open with a 1° differential. With the motor in the closed (fully counterclockwise) position, the auxiliary switch breaks contacts R-B. Refer to Fig. 7 (or the auxiliary switch Instruction Sheet) for auxiliary switch wiring.

**NOTE: Auxiliary switches can only be added to motors that include auxiliary switch cams. (These cams cannot be field-added.)**

**NOTE:** Series 3 Motors are shipped with auxiliary switch cams that permit acceptance of 220736A,B Internal Auxiliary Switch Kits. Refer to Form no. 63-2228 for 220736A,B Installation Instructions.

### Auxiliary Switch Adjustment

1. Remove the top cover from the motor to gain access to the motor terminals and auxiliary cams.
2. Disconnect the controller from the motor.
3. Connect a potentiometer to the motor as shown in Fig. 6.
4. Using the potentiometer, drive the motor to the position where the auxiliary equipment is to be switched.
5. For a 1° switch differential, check continuity of the auxiliary switch contacts R-B and rotate the cam as follows:
  - a. If the contacts are open, rotate the cam clockwise until the R-B contacts close.
  - b. If the contacts are closed, rotate the cam counterclockwise until the R-B contacts open.
6. For a 10° switch differential:
  - a. Spring return models: rotate the cam approximately 180° so that the slow-rise portion of the cam actuates the switch. Then check continuity of the auxiliary switch contacts R-B.
  - b. Non-spring return models: check continuity of the auxiliary switch contacts R-B.
7. Rotate the cam as follows:
  - a. If the contacts are open, rotate the cam counterclockwise until the R-B contacts close.
  - b. If the contacts are closed, rotate the cam clockwise until the R-B contacts open.
8. Check for proper auxiliary equipment differential and switching by driving the motor through the full stroke in both directions.
9. Disconnect the potentiometer, reconnect the controller, and replace the motor top cover.

**NOTE:** Changing the differential from 1° to 10° reverses the switching action. For example, with a 10° differential, switch contacts R-B make and R-W break on a counterclockwise (closed) rotation. With a 1° differential, switch contacts R-W make and R-B break on a counterclockwise (closed) rotation.

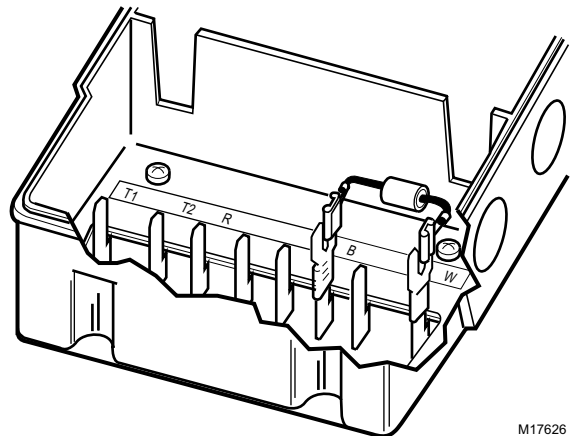
## OPERATION

Use Series 90 Modutrol IV Motors for standard Series 90 operation (See Table 12):

1. Two potentiometers, one in the controller and one in the motor, along with the motor resistor network, form a bridge circuit. As long as the value of the controlled medium remains at the setpoint, the circuit remains balanced and the motor does not run.
2. When the controlled medium value changes, the controller potentiometer wiper moves, unbalancing the bridge circuit.
3. The imbalance is amplified and the microcontroller then drives the motor in the direction necessary to correct the controlled medium change.
4. As the motor shaft rotates, it turns the feedback potentiometer, rebalancing the bridge circuit, stopping the motor.

**Table 12. Modutrol IV Motor Operation.**

Motor Type	Signal	Resulting Action
Non-Spring Return or Spring Return	Open W and short R to B	drives open
	Open B and short R to W	drives closed
	Jumper R-W-B	drives to midstroke
	None	drives closed
Non-Spring Return	Power Loss	stops (none)
Spring Return	Power Loss	spring returns (closed)



M17626

**Fig. 12. Attaching a Shunt Resistor to TRADELINE Motors.**

**Table 13. Cam Arrangements.**

Motor	Inner Cam	Outer Cam
M9174B1027	Blue	Blue
M9174C1025	Blue	Blue
M9174C1033	Blue	Blue
M917C1041	Blue	Blue
All Other M91XX	Blue	Red

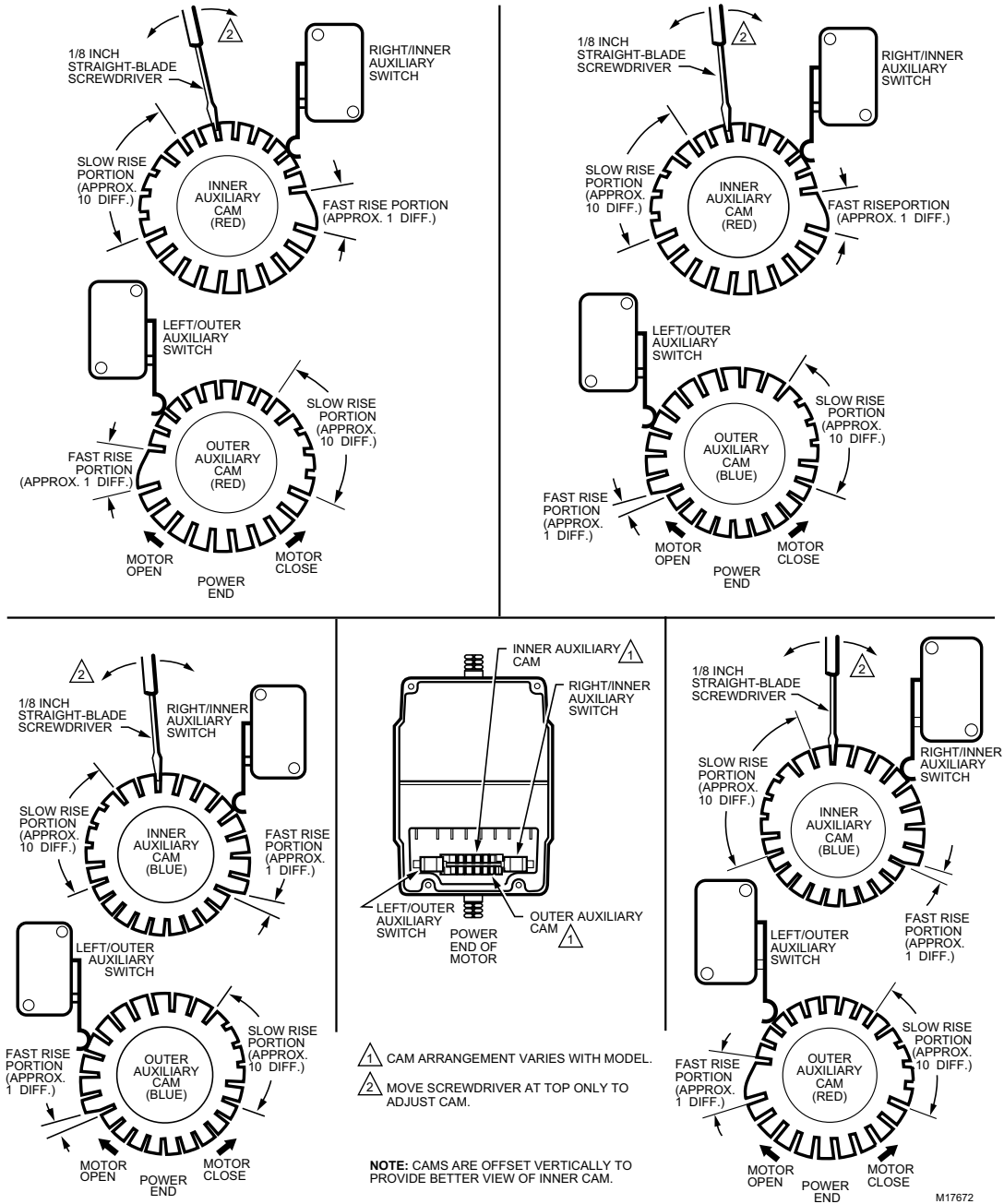


Fig. 13. Auxiliary Switch Adjustment.

## CHECKOUT

After the installation and linkage adjustment, check the entire motor and control hookup. Proper checkout ensures that:

- The motor operates the load (damper or valve) properly.
- The motor responds properly to the controller as the input varies (See Table 12).
- The auxiliary switch, if used, operates at the desired point of motor rotation.

1. Inspect motor, linkage, and valve or damper to ensure all mechanical connections are correct and secure.

**NOTE:** In damper installations, the pushrod should not extend more than a few inches past the ball joints.

2. Ensure that there is adequate clearance for the linkage throughout the entire motor stroke without binding or striking other objects.
3. Ensure the motor transformer is properly sized.

**NOTE:** If a common transformer is used to power multiple motors, ensure the power input is in phase with all motors.

4. Drive the motor fully open and fully closed (See Table 12).

**NOTE:** Refer to controller or system instructions for additional checkout procedures.

5. For spring return motors, ensure that the valve or damper returns to normal position upon power interruption.
6. Return the controller to the desired setting before leaving the job.

## REPLACEMENT

### Damper Application

1. Turn off power and remove wiring from the old motor.
2. Remove the crank arm from shaft of old motor and remove the old motor.
3. Determine necessity of the mounting bracket. If the linkage can reach the new motor shaft position and the crank arm has clearance for the necessary rotation, the bracket is not required. Use the 220738A Adapter Bracket or the 221455A Crank Arm if the crank arm must rotate through the bottom plane of the motor.
  - a. If no bracket is required, mount the new motor directly to the equipment and refer to the Installation, Settings and Adjustments, and the Operation and Checkout sections of these instructions.
  - b. If the bracket is required, refer to the Adapter Bracket section and Fig. 3 in addition to the Installation, Settings and Adjustments, and the Operation and Checkout sections of these instructions.
4. Use No. 12 or 1/4 inch machine screws or bolts to mount the new motor.
5. Mount damper crank arm and linkage to the new motor shaft.
6. Use the Checkout procedures to test the crank arm and linkage adjustment.

### Valve Application

When replacing a motor in a valve application, the linkage determines the necessity of the 220738A Adapter Bracket. With Q100, Q601 or Q618 Linkages, it is necessary to use the 220738A to raise the motor shaft to the appropriate height. Valve applications with a Q5001 Linkage do not require the 220738A Adapter Bracket. To operate Honeywell V5011 two-way or V5013 three-way valves through full stroke, use a 160° stroke motor or make sure the stroke is adjusted to 160 degrees.





By using this Honeywell literature, you agree that Honeywell will have no liability for any damages arising out of your use or modification to, the literature. You will defend and indemnify Honeywell, its affiliates and subsidiaries, from and against any liability, cost, or damages, including attorneys' fees, arising out of, or resulting from, any modification to the literature by you.

**Automation and Control Solutions**

Honeywell International Inc.  
1985 Douglas Drive North  
Golden Valley, MN 55422  
customer.honeywell.com

© U.S. Registered Trademark  
© 2012 Honeywell International Inc.  
63-2631—07 M.S. Rev. 11-12  
Printed in United States

**Honeywell**